

## BALL VALVES....

Ball Valves are used in a wide variety of high pressure applications. Two factors make them popular. First, a full unrestricted flow that allows no product restrictions through the valve. Second, the three piece design and the removal of a minimal number of bolts allows service to be performed without removing the complete valve from the line.

VNE offers two way ball valves made of T316 (CF8M) stainless steel. PTFE seats are easily removed. Clamp and Weld ends are standard. Other connections are available upon request. 1/2" through 4" sizes are available. Ball Valves meet 3A requirements.

VNE offers many options on automated ball valves.

### BALL VALVE SPECIFICATIONS....

<b>Size:</b>	1/2", 3/4", 1", 1 1/2", 2", 2 1/2", 3", 4"
<b>Material:</b>	Passivated 316 Stainless Steel (ASTM A351, CF8M)
<b>Connections:</b>	Clamp, Buttweld and Orbital weld - other connections available upon request
<b>Working Pressure:</b>	1/2" - 1"            1,000 psi 1 1/2" - 2"        1,000 psi 2 1/2" - 4"        600 psi
<b>Temperature Rating:</b>	-65 to 320 Degrees F

### ORDERING SPECIFICATIONS....

<b>Specify:</b>	<ul style="list-style-type: none"><li>• Quantity</li><li>• Product description or Part No.</li><li>• Size</li><li>• Material Type</li></ul>
-----------------	---

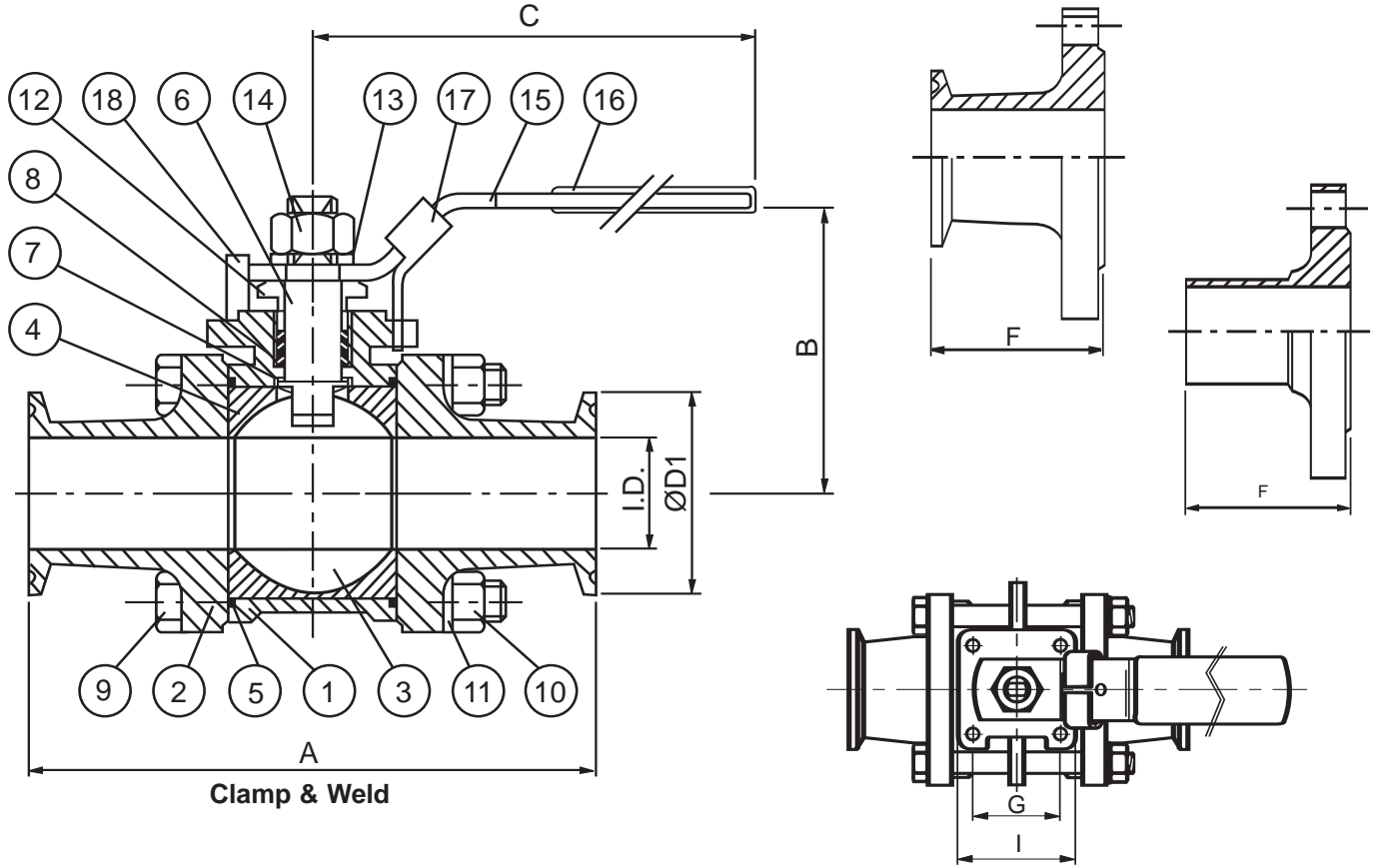


### IMPORTANT FEATURES...

- 3 - Piece design - allows valve ends to remain attached while servicing valve body
- Meets 3A requirements
- 100% Tested
- Valves marked with heat numbers for full identification and traceability
- English hardware
- Maintenance and servicing is made easy with removal of a minimal number of bolts
- Reinforced Teflon® Seats
- PTFE Cavity Filler, fully encapsulated
- Locking device handle
- Air Actuator mounting kits which include ISO-5211 pads are available
- Repair kits are available

# CLAMP AND WELD VALVES

PART NUMBER EG90CC-6-SIZE = CLAMP  
 E90WW-6-SIZE = WELD



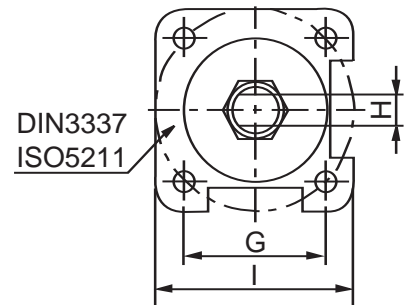
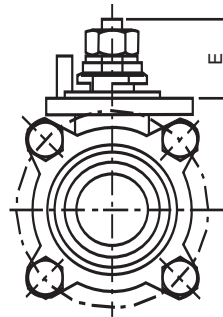
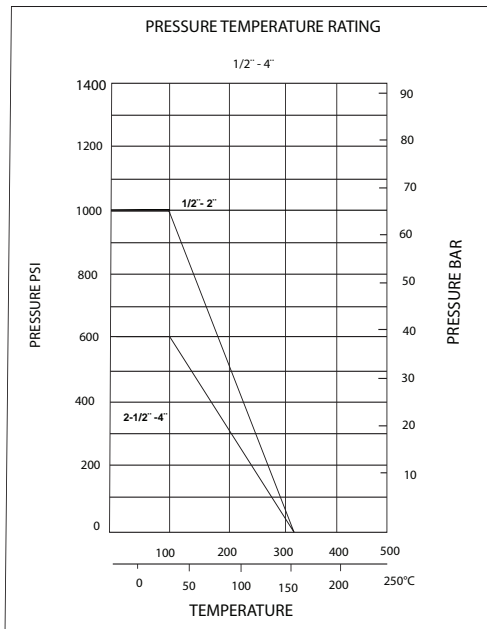
## CLAMP & WELD DIMENSIONS

SIZE INCH	ISO- 5211	A	B	C	I.D.	ØD	ØD1	E	F	G	H	I
1/2"	F03	3.503	2.165	5.11	0.375	0.50	1.00	0.708	1.289	1.00	0.196	1.456
3/4"	F03	3.976	2.362	5.11	0.625	0.75	1.00	0.728	1.437	1.00	0.196	1.456
1"	F04	4.488	2.716	6.49	0.875	1.00	1.98	0.885	1.574	1.17	0.256	1.653
1 1/2"	F05	5.511	3.307	7.67	1.375	1.50	1.98	1.165	1.712	1.39	0.334	1.968
2"	F05	6.141	3.622	7.67	1.875	2.00	2.51	1.165	1.801	1.39	0.334	1.968
2 1/2"	F07	7.756	5.000	9.92	2.375	2.50	3.05	1.750	2.204	1.95	0.472	2.834
3"	F07	9.015	5.354	9.92	2.875	3.00	3.58	1.750	2.540	1.95	0.472	2.834
4"	F10	9.567	6.260	13.07	3.834	4.00	4.68	1.921	2.385	2.83	0.630	3.740

# CLAMP AND WELD VALVES

## PART LIST FOR CLAMP & WELD VALVES

Part Number	Description	Material	Qty.
Ball-1	Body	ASTM-A351-CF8M	1
Ball-2C	Clamp End Connection	ASTM-A351-CF8M	2
Ball-2W	Weld End Connection	ASTM-A351-CF8M	2
Ball-3	Ball	A351-CF8M	1
Ball-4	Seat	PTFE	2
Ball-5	Gasket	PTFE	2
Ball-6	Stem	AISI-316	1
Ball-7	Thrust Washer	PTFE	1
Ball-8	Stem Packing	PTFE	1
Ball-9	Bolt	AISI-304	4
Ball-10	Hex Nut	AISI-304	4
Ball-11	Bolt Washer	AISI-304	4
Ball-12	Gland	AISI-304	1
Ball-13	Washer	AISI-304	1
Ball-14	Nut	AISI-304	1
Ball-15	Handle	AISI-304	1
Ball-16	Plastic Cover	Plastic	1
Ball-17	Lock Device	AISI-304	1
Ball-18	Stop Pin	AISI-304	1



### BALL VALVE TORQUE....

3-PC Type full port stainless steel 316 sanitary ball valve ferrule-end and weld-end.

1/2"	- Breakaway Torque ----	42	In-LBS
3/4"	- Breakaway Torque ----	58	In-LBS
1"	- Breakaway Torque ----	83	In-LBS
1 1/2"	- Breakaway Torque ----	150	In-LBS
2"	- Breakaway Torque ----	298	In-LBS
2 1/2"	- Breakaway Torque ----	512	In-LBS
3"	- Breakaway Torque ----	685	In-LBS
4"	- Breakaway Torque ----	996	In-LBS